

STR Caster™

Specification Guide for Stabilizer & Rigid Casters

Make & Model Cross Reference

OEM Part Number Cross Reference

Caster Specification Cross Reference

Caster Kit Replacement Parts Diagram

Features & Benefits of
STR 1000, 2000, 5200, 5400, & 4100 Series

Maintenance Log



SUPERIOR
TIRE & RUBBER CORP.
MATERIAL HANDLING COMPONENTS

ENGINEERING REVOLUTION™

1.800.289.1456

1.814.723.2370

fax 1.814.726.0740

www.SuperiorTire.com

STR Stabilizer Caster™ to Make/Model Cross Reference

STR1500	Hyster W40Z W50Z W45Z	Yale MPB040 MPW045			
STR1600 Series	Raymond 8210 8310				
STR2000	Baker BWR EWR	CAT NPV series WR8000	Crown PE 40-80 PC 3000 PC 40-80 PW 40-80	Hyster W40XT W40CL WR series B40CL W40-60XL B40XL W/B/C 40-60 BL/BF	Prime Mover SN20-40 SR 30 PE 60W JT 60C PX 40 MX 50 RX 50-65 PE 40-65 DLR65
	Toyota HB20 6HBE30	Yale MPE060 MPE080	WPT PTE PTC PE3000 PE4000		
STR2000BL	Linde/Baker EWR80 EWR60 R20 EWR2692				
STR2000CR2	Crown PE4000-6000				
STR2000HY	Hyster B80Z,B60Z R30CH	Yale MPE060LE/LF,VG MPE080LE/LF,VG			
STR2000JH	CAT WR6000	Jungheinrich ECR327 ECR336			
STR2000RA	Raymond 114 810 19-F60L	Raymond 8400 8500 8600	Toyota 8HBE30		
STR2000TY	CAT NPV60				
STR3000	Barrett WRP 60-80	Hyster W60-80XT B40-80XT C60-80XT	Yale MLW/E MP/W/E/C MP040-060		
STR4000	Clark HWD, SSX	Crown 60PE			
STR4100 Series	Unicarriers SPX Series				
STR5200 Series	Crown PE4000 PE4500	Hyster B60Z B60ZAC B60ZHD B80Z	Yale MPE060LE/LF,VG MPE080LE/LF,VG	Unicarriers RPX Series	
STR5400 Series	Clark HWX30 HWX40	Crown PR4500			

STR Stabilizer Caster™ to OEM Part Number Cross Reference

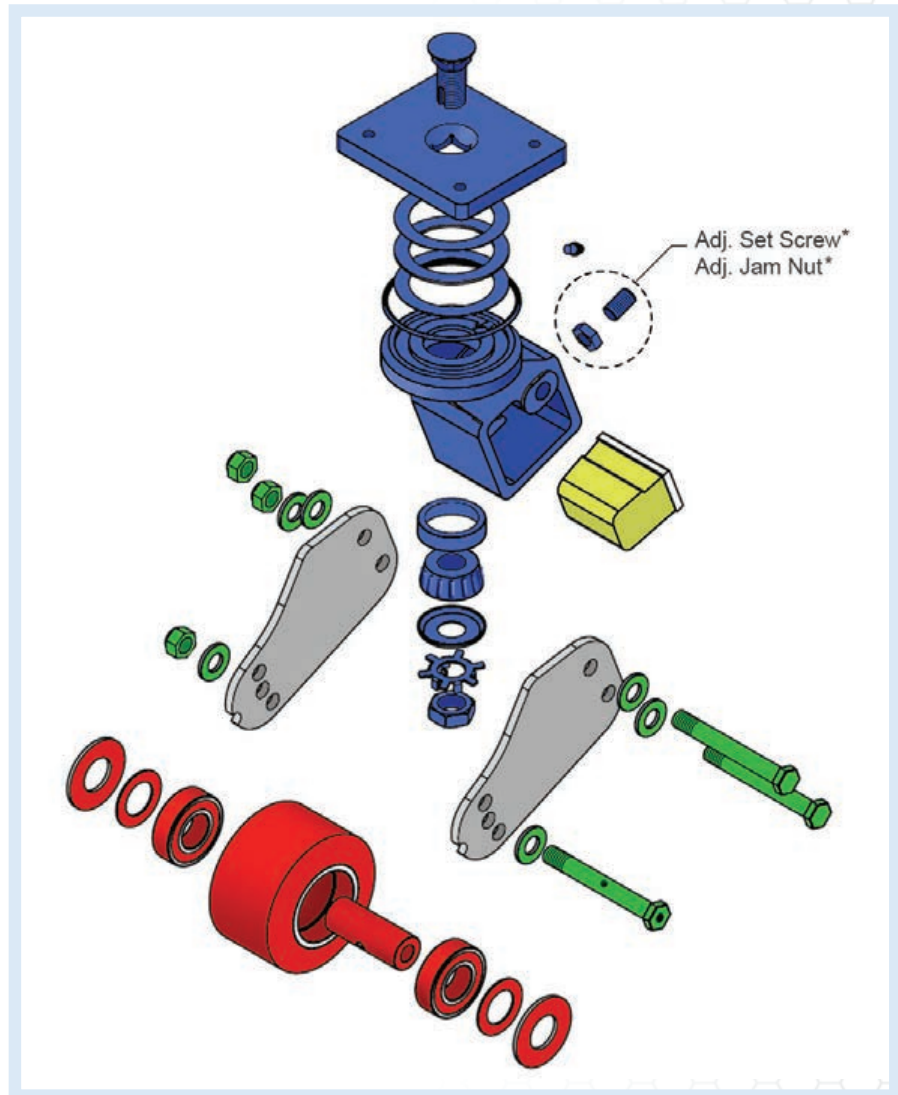
STR1500 Series	Hyster 2044852					
STR1600 Series	Raymond	Yale				
	1241883	580023164				
STR2000	Baker	CAT	Crown	Hyster	Prime Mover	Raymond
	127520	1009237	843611	2007884	139312	671-017
	138071	1009299	843613	3246410	27332	671-023
	138073	1202032	843614	323772	27675	671-024
	138075		843616	346202	27849	671-025
	139312	Crown	84361001	351314		671-026
	993465	76546	84361003	526120	Mitsubishi	
	993994	310273	84361006	826275	NA067022	Toyota
	152865	81270	82694001			00590-00027-71
	153858	826941	82694002	Larcaster	RVI	42660-81100-71
		826942	82694003	LC2000/2500	0951-C01	
		826943	82694004			Yale
		826944				1501200-33
	826946					
STR2000BL	Linde/Baker					
	154148					
STR2000CR2	Crown	Larcaster				
	129929-001	LC2400				
	133109-001					
STR2000HY	Hyster	Yale				
	346201	524244220				
	2079240	524267533				
STR2000JH	Jungheinrich	Jungheinrich				
	W205012772	S0440054				
STR2000RA	Raymond	Raymond				
	59043168	59048553				
	1082408	671-042				
STR2000TY	CAT					
	NA014895					
	217384					
STR3000	Barrett	Hyster	Larcaster	Toyota	Yale	Yale
	43380-FS1000/1/2	2308415	LC3001-350	00590-01556-71	516012603	720465006
		2311685		00590-01662-71	518782600	524153612
				00590-39633-71	520583002	
STR4000	Clark	Clark			Crown	Larcaster
	1779711	2789890			76546	LC4001/4501
	2314632	2779621				
	2314636	2786022				
	2743452					
STR4100 Series	Crown	Raymond	Unicarriers			
	310260	2832879	43380-FS400			
			43380-FS401			
STR5200 Series	Crown	Hyster	Yale	Unicarriers		
	129929-001	316201	524244220	43380-FS005		
	133109-001	2072940	524267533			
STR5400 Series	Clark	Crown				
	2832879	310265				

STR Stabilizer Caster™ Kit Selection Diagram

NOTE:

This model is based off of the STR2000 Stabilizer Caster. Patented design & components. US Patent #6,425,161 B1 for the industrial caster wheel & PolyBlock™ shock absorbing mechanism, & US Patent #7,093,319 B2 for the adjustment member of the caster.

*Adjustment Set Screw and Adjustment Jam Nut are included in the Complete Bolt Kit and the Housing Kit.

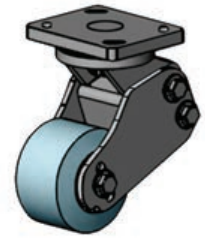
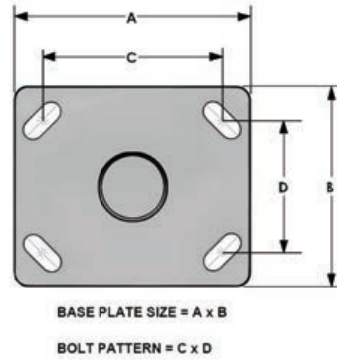
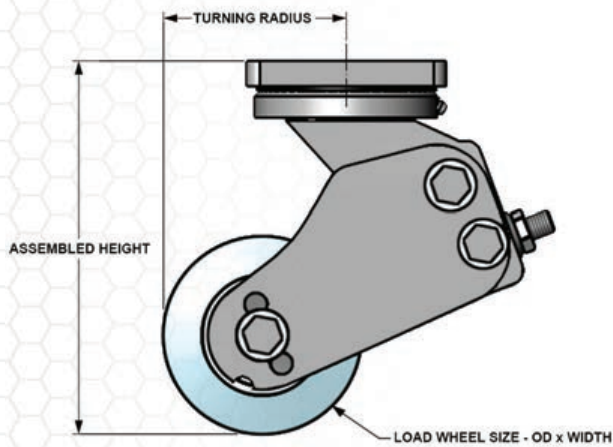


Complete Bolt Kit	
Included Parts	Quantity
Bolt	2
Greasable Axle	1
Washers	6
Nylock Nut	3
Adj. Set Screw	1
Adj. Jam Nut	1

Housing Kit	
Included Parts	Quantity
Mount Plate	1
King pin, washer, nut	1
Upper Olite Bearings	1
Caster Housing & Zerk	1
Adj. Set Screw	1
Adj. Jam Nut	1
Lower Timken Cup & Cone Bearing parts	1

Wheel Kit	
Included Parts	Quantity
Load Wheel	1
Axle Bushing	1
Bearings	2
Washers	2
String Guards	2

STR Stabilizer Caster™ Dimensions



Model	Series	Assembled Height (in)	Turning Radius (in)	Centered or Offset Swivel	Load Wheel Size(in)	Base Plate Size(in)	Slots or Holes	Bolt Pattern
STR1500	STR1000	5.5	3.3125	Offset	3.25 x 1.57	3.15 x 4.587	Threaded Holes	3 Hole
STR1638	STR1000	5.5	3.3125	Centered	3.25 x 2	3.5 x 3.5	Holes	2.5 x 2.5
STR2000	STR2000	7.5	4.1875	Centered	4 x 2.5	4 x 4.75	Slots	3.992 x 3.004
STR2000BL	STR2000	7.5	3.875	Centered	4 x 2.5	3 x 4.75	Holes	2.756 x 3.385
STR2000CR2	STR2000	7.5	4.1875	Centered	4 x 2.5	5 x 5	2-Sets of Holes	2.625 x 3.625 and 4.125 x 4.125
STR2000HY	STR2000	7.5	4.1875	Centered	4 x 2.5	4 x 4.5	Threaded Holes	2.795 x 3.295
STR2000JH	STR2000	7.875	3.625	Offset	4 x 2.5	4.25 x 5.5	Threaded Holes	3.125 x 4.125
STR2000RA	STR2000	7.5	4.1875	Offset	4 x 2.5	5 x 6	Holes	3 x 5
STR2000TY	STR2000	7.5	4.1875	Centered	4 x 2.5	4 x 5.75	Holes	3 x 5
STR2100	STR2100	8.375	4.1875	Centered	4 x 2.5	4 x 4.5	Threaded Holes	2.795 x 3.295
STR3000	STR3000	9.125	4.1875	Centered	4 x 2.5	5 x 7	Slots	3 x 5
STR3002	STR3000	9.125	4.1875	Centered	5 x 2.5	5 x 7	Slots	3.328 x 5.269
STR5213	STR5200	8.07	4.125	Centered	4 x 2.5	4 x 4.5	Holes	2.795 x 3.295
STR5253	STR5200	7.75	4.5	Centered	4 x 2.5	5 x 5	2-Sets of Holes	2.625 x 3.625 and 4.125 x 4.125
STR5263	STR5200	8.85	4.442	Centered	4 x 2.5	5 x 7	Holes	3.375 x 5.25
STR5453	STR5400	7.51	4.125	Centered	4 x 2.5	5.25 x 5.25	2-Sets of Holes	2.625 x 3.625 and 4.125 x 4.125
STR5473	STR5400	8.189	3.793	Centered	4 x 2.5	5.25 x 5.25	Holes	4 x 4
Rigid Swivel Caster								
STR4163	STR4100	8	4.684	Centered	6 x 3	4.5 x 6.25	Holes	3.375 x 5.25

STR Stabilizer Caster™

The Newest Technology in Stabilizer Casters

STR1000 Series Caster

For 4,500lb Pallet Trucks

Engineered for walk-behind pallets trucks carrying 4,000-5,000lb loads. Designed with a full size swivel mechanism for added strength and longer wear-life. Features a PolyBlock™ dampener for consistent performance throughout the life of the caster.

Standard Features

- Rust Proof Zinc Plating
- Greasable Wheel Axle
- Available for: STR1500, STR1638

Extreme Food Service

- In addition to standard features
- Greasable Pilot Axle
 - Larger Greasable Wheel Axle
 - Available for STR1500 caster models



Full Size Swivel

Using cup and cone with thrust bearing instead of single row ball bearing ensures high durability and longer wear-life.

Fine & Convenient Height Adjustments

Extra-fine adjustments eliminating the use of spacers and shims

Durable Duty Steel Construction

0.25" steel plates with no welds to reduce weak points

Greater Cornering Stability & Comfort

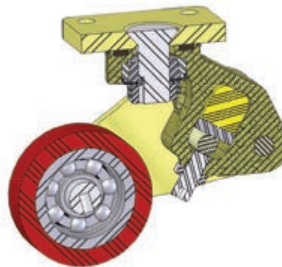
Patented PolyBlock™ damper technology reduces oscillation and rocking effect

Immediate Availability

Designed and manufactured in-house, we stock and service all assemblies and replacement parts

Reliable and Consistent Performance

Less height and performance deterioration over time than metal springs



◇ String Guard comes standard

◇ Linear Deflection with a positive stop after 1"

◇ Interchangeable kit replacements available for all models

◇ Optional maintenance free, Sealed Wheel Bearings

◇ Optional Wheel compounds:

- Cushothane® EZ™
- Cushothane® XL™

STR Stabilizer Caster™

The Newest Technology in Stabilizer Casters

STR2000 Series Caster

For 6,000lb Rider Pallet Trucks

Engineered as a drop-in replacement for all OEMs, the STR Stabilizer Caster™ - with patented PolyBlock™ technology - eliminates the use of unreliable metal springs yet provides greater stability in cornering, a smoother ride and higher productivity.



Durable Steel Construction

0.25" steel plates with no welds to reduce weak points

Fine & Convenient Height Adjustments

Easy three-position coarse & extra-fine adjustments eliminating the use of spacers and shims

Longer Wheel Work-Life and Protected in All Environments

By using a larger wheel (4" O.D.) with the toughest polyurethane compound available with Rust-Proof Zinc plated parts and a greasable wheel or axle for corrosive environments

Greater Cornering Stability & Comfort

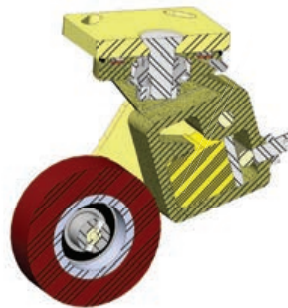
Patented PolyBlock™ damper technology reduces oscillation and rocking effect

Immediate Availability

Designed and manufactured in-house, we stock and service all assemblies and replacement parts

Reliable and Consistent Performance

Less height and performance deterioration over time than metal springs



Standard Features

- Rust Proof Zinc Plating
- Greasable Wheel Axle
- Available for: STR2000, STR2000BL, STR2000CR2, STR2000HY, STR2000JH, STR2000RA and STR2000TY

Extreme Food Service

- Greasable Pilot Axle
- Larger Greasable Wheel Axle
- Available for STR2000HY, STR2000JH, and STR2000TY caster models

◇ String Guard comes standard

◇ Linear Deflection with a positive stop after 1.5"

◇ Interchangeable kit replacements available for all models

◇ Optional maintenance - free, Sealed Bearings

◇ Optional Wheel compounds:

- Cushothane® EZ™
- Cushothane® XL™

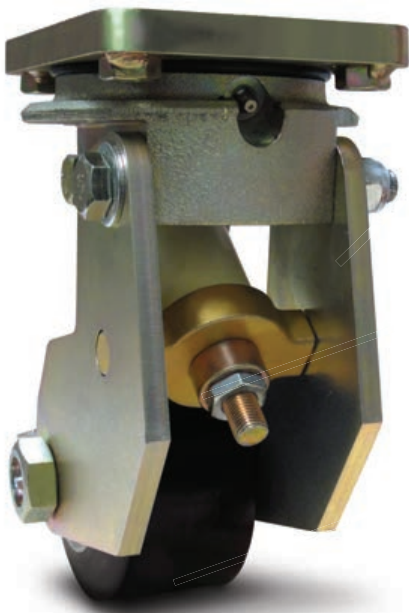
STR Stabilizer Caster™

The Newest Technology in Stabilizer Casters

STR5200 Series Caster

Side Adjustable for 6,000lb Rider Pallet Trucks

Designed to be quickly and easily adjustable from the side of the truck, without ever having to lift the truck. Solid casting with no welds and thicker 5/16" side plates for added strength and longevity. Also features patented PolyBlock™ dampener technology.



Heavy Duty Steel Construction

Solid casting without welds and heavy duty 5/16" side plates

The Easiest/Fastest Height Adjustable Caster Available

Achieve the perfect height using a typical wrench with our linear fine thread adjusting mechanism - without lifting the truck

Longer Wheel Work-Life and Protected in All Environments

By using a larger wheel (4" O.D.) with the toughest polyurethane compound available with Rust-Proof Zinc plated parts and a greasable wheel or axle for corrosive environments

Greater Cornering Stability & Comfort

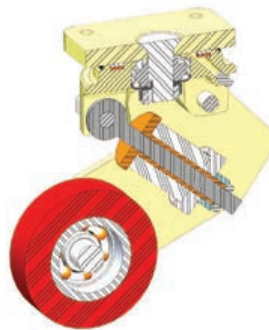
Patented PolyBlock™ damper technology reduces oscillation and rocking effect

Immediate Availability

Designed and manufactured in-house, we stock and service all assemblies and replacement parts

Reliable and Consistent Performance

Less height and performance deterioration over time than metal springs



Standard Features

- Rust Proof Zinc Plating
- Greasable Wheel Axle
- Available for: STR5213, STR5253, STR5263, STR5200B

◇ *String Guard comes standard*

◇ *Linear Deflection with a positive stop after 2 inches*

◇ *Interchangeable kit replacements available for all models*

◇ *Optional maintenance - free, Sealed Wheel Bearings*

◇ *Optional Wheel compounds:*

- Cushothane® EZ™
- Cushothane® XL™



ENGINEERING REVOLUTION™

STR Stabilizer Caster™

The Newest Technology in Stabilizer Casters

STR5400 Series Caster

Side Adjustable for 8,000lb Rider Pallet Trucks

Designed as a heavier duty quick and easy adjustable from the side of the truck caster. Kingpin-less heavy duty machined & hardened cast housing with no welds and heavy duty 3/8" side plates for added strength and longevity. Features patented PolyBlock™ dampener technology.



Heavy Duty Steel Construction

Hardened machined cast upper & lower housing with no welds and heavy duty 3/8" side plates

The Easiest/Fastest Height Adjustable Caster Available

Achieve the perfect height using a typical wrench with our linear fine thread adjusting mechanism - without lifting the truck

Longer Wheel Work-Life and Protected in All Environments

By using a larger wheel (4" O.D.) with the toughest polyurethane compound available with Rust-Proof Zinc plated parts and a greasable wheel or axle for corrosive environments

Greater Cornering Stability & Comfort

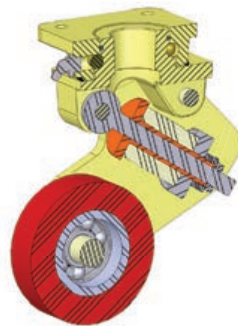
Patented PolyBlock™ damper technology reduces oscillation and rocking effect

Immediate Availability

Designed and manufactured in-house, we stock and service all assemblies and replacement parts

Reliable and Consistent Performance

Less height and performance deterioration over time than metal springs



Standard Features

- Rust Proof Zinc Plating
- Greasable Wheel Axle
- Available for: STR5453, STR5473

◇ String Guard comes standard

◇ Linear Deflection with a positive stop after 2 inches

◇ Interchangeable kit replacements available for all models

◇ Optional maintenance - free, Sealed Wheel Bearings

◇ Optional Wheel compounds:

- Cushothane®
- Cushothane® XL™



ENGINEERING REVOLUTION™

STR Caster™

Kingpin-less Rigid Swivel Caster

STR4100 Series Rigid Caster

For Heavy Duty Material Handling Equipment

Designed primarily as a robust rigid caster for heavy duty material handling carts, trucks and rigging equipment, the STR4100 Series excels where others fail. With a solid steel cast housing, no fasteners to break, and hardened steel bearing race, it's aisles ahead of the competition.



Heavy Duty Steel Construction

Solid casting without welds and heavy duty kingpin-less swivel mechanism.

Convenient Greasability

Greasing moving parts is critical to prolonging work-life. With conveniently located grease fittings, basic maintenance is even easier.

Longer Wheel Work-Life from a Large Load Wheel

By using a large 6" OD wheel with the toughest polyurethane compounds available, and a 3" wide cross section provides extreme durability and optimal load capacity.

Consistently Smooth Swivel

Specially designed with a hardened steel bearing race uses rubber O-rings to lock out moisture & debris, and lock in grease.

Sealed Bearings & String Guards

Preventing debris from binding up the load wheels while maintaining internal lubrication.

Zero Fasteners

Factory assembled with no fasteners to eliminate the burden of nut & bolt weaknesses.

Standard Features

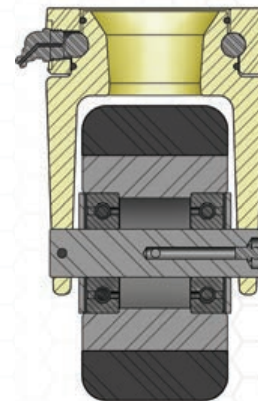
- Rust Proof Zinc Plating
- Greasable Wheel Axle
- 8" Standard Height
- Available for: STR4163 & STR4164

◇ *String Guard comes standard*

◇ *Optional maintenance - free, Sealed Wheel Bearings*

◇ *Optional Wheel compounds:*

- Cushothane®
- Cushothane® XL™



Caster Maintenance Log

Truck ID / Equipment	Caster Model	Date Checked	Action Required	Action Completed Date	Mechanic/Inspector

Superior Tire & Rubber Corp.

40 Scientific Rd.
Warren, PA 16365

1.800.289.1456 www.SuperiorTire.com

